

12 SERIES

- DOUBLE CONTACT CANDELABRA BAYONET NON-GROUNDED LAMPHOLDERS
- 6" WIRE LEADS • ZINC PLATED STEEL SHELL
- MAXIMUM RATING: 75 WATTS, 125 VOLTS
- UL AND CSA LISTED • UL FILE E20356 • CSA FILE LR 15284-2

Overview

The 12 Series lampholders are constructed with a zinc plated steel shell, with two brass contacts mounted on a phenolic-insulating disc and two 6" wire leads. The bracket and shell are grounded independent of the contacts. Lampholders are designed for use with double contact candelabra bayonet lamps.

Specifications

Shell: zinc plated steel.

Custom shells also available:

Double contact indexed shell: add **-DX** to end of part number. For example, **12-207** changes to **12-207-DX** for indexed shell. Shell is only available in zinc plated steel.

Brass shell: add **-BR** to the end of a part number. For example, **12-207** changes to **12-207-BR** for brass shell.

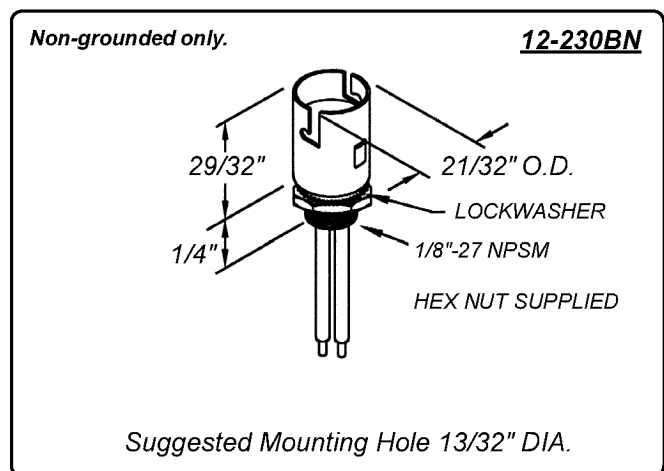
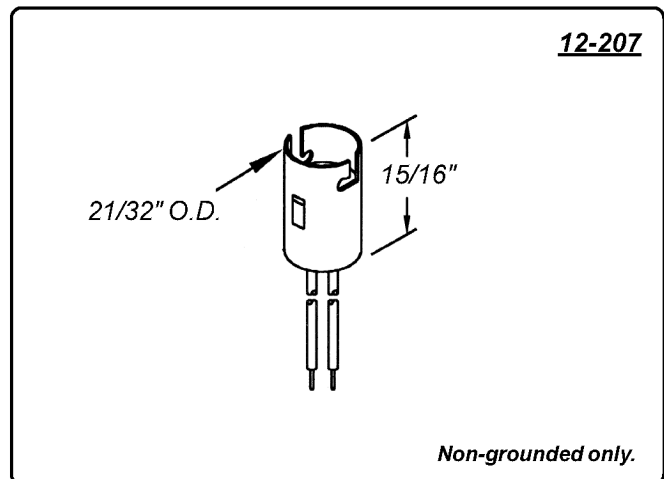
Center contacts: nickel plated brass supplied with phenolic insulating disc. A custom ceramic insulating disc is also available.

Spring: zinc plated steel. A custom stainless steel spring is also available.

Wire leads: 6" Leads: #18 AWG, black, bare copper, PVC insulated, UL/CSA rated 105° C, stripped 1/2". Non-grounded units are supplied with two 6" wire leads. Custom wire lengths, stripping, termination and wire types are also available.

Mounting: Brackets: 0.025" to 0.032" zinc plated steel. Custom brackets and plating types are available. **Plug buttons:** zinc plated steel for 15/16" mounting holes. **Threaded bushing:** for 13/32" mounting hole. Supplied with lockwasher and hex nut.

Maximum rating: 75 Watts, 125 Volts.



12 Series
UL & CSA Listed
Maximum Rating: 75 Watts, 125 Volts

Zinc Plated Shell
Non-Grounded
6" Wire Leads

Lampholders

